

Model: ASYG18LFCA / ASYG24LFCC / ASYG30LFCA



Wireless R.C.



For ASYG18LFCA, ASYG24LFCC



For ASYG30LFCA

Specifications

Model No.	Indoor unit		ASYG18LFCA	ASYG24LFCC	ASYG30LFCA	
	Outdoor unit		AOYG18LFC	AOYG24LFC	AOYG30LFT	
Power Source			Single-phase, ~230V, 50Hz			
Capacity	Cooling	kW	5.2 (0.9-6.0)	7.1 (0.9-8.0)	8.0 (2.9-9.0)	
	Heating		6.3 (0.9-9.1)	8.0 (0.9-10.6)	8.8 (2.2-11.0)	
Input Power	Cooling/Heating	kW	1.52/1.71	2.20/2.21	2.49/2.44	
EER	Cooling	W/W	3.42	3.23	3.21	
COP	Heating		3.68	3.61	3.61	
Pdesign	Cooling/Heating(-10°C)	kW	5.2/5.9	7.1/7.1	8.0/8.0	
SEER	Cooling	W/W	6.94	6.11	5.69	
SCOP	Heating (Average)		3.87	3.80	3.80	
Energy Efficiency Class	Cooling	A++		A++	A+	
	Heating (Average)	A		A	A	
Max. Operating Current	Cooling/Heating	A	9.0/12.5	13.5/18.5	17.0/19.0	
Annual Energy Consumption	Cooling	kWh/a	262	406	492	
	Heating		2130	2610	2941	
Moisture Removal		l/h	2.6	2.7	3.2	
Sound Pressure Level	Indoor (Cooling)	H/M/L/Q	dB(A)	43/37/33/26	49/42/37/32	48/42/37/33
	Indoor (Heating)	H/M/L/Q		42/37/33/25	48/42/37/32	49/42/37/33
	Outdoor(Cooling/Heating)	High		50/51	55/56	53/56
Sound Power Level	Indoor(Cooling/Heating)	High	58/58	64/64	64/64	
	Outdoor(Cooling/Heating)	High	65/-	68/-	68/-	
Airflow Rate	Indoor / Outdoor	High	m³/h	900/2150	1120/2460	1100/3600
Net Dimensions H x W x D	Indoor	mm	320×998×238	320×998×238	320×998×238	
		kg(lbs)	14 (31)	14 (31)	14 (31)	
Weight	Outdoor	mm	620×790×290	620×790×290	830×900×330	
		kg(lbs)	41 (90)	41 (90)	61 (135)	
Connection Pipe Diameter (Liquid / Gas)		mm	6.35/12.7	6.35/15.88	9.52/15.88	
Drain hose Diameter (I.D./O.D.)		mm	12/16	12/16	12/16	
Max Pipe Length (Pre-Charge)		m	25 (15)	30 (15)	50 (20)	
Max Height Difference			20	20	30	
Operation Range	Cooling	°CDB	-10 to 46	-10 to 46	-10 to 46	
	Heating		-15 to 24	-15 to 24	-15 to 24	
Refrigerant	Type (Global Warming Potential)		R410A (2,088)	R410A (2,088)	R410A (2,088)	
	Charge	kg(CO2eq-T)	1.20 (2.5)	1.80 (3.8)	2.1 (4.4)	

Optional parts

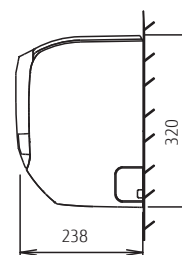
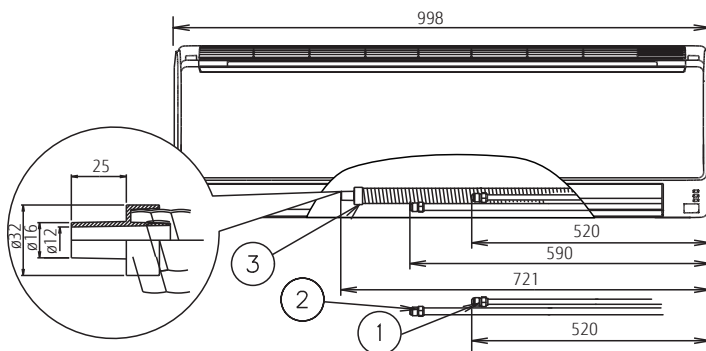
Wired Remote Controller: UTY-RNNYM, UTY-RVNYM

Simple Remote Controller: UTY-RSNYM

Wireless LAN Interface: UTY-TFNXZ1

Dimensions

(Unit : mm)



- ① Refrigerant pipe flare connection (Liquid)
- ② Refrigerant pipe flare connection (Gas)
- ③ Drain hose connection (Drain hose)

PRODUCT LINEUP: SPLIT

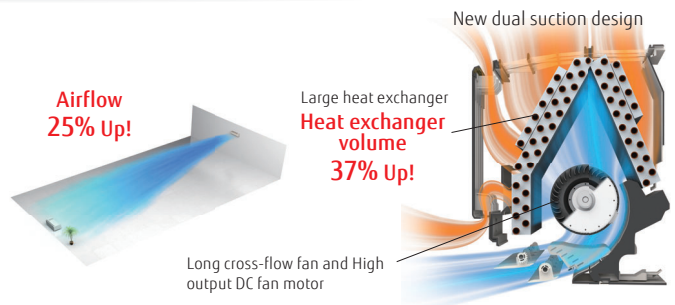
Wall Mounted Standard Range

Comfort for Large Room



Large Capacity & Powerful airflow

Achieved large capacity and powerful airflow by large heat exchanger, long cross-flow fan, high output DC fan motor and new airflow structure design.



Human sensor

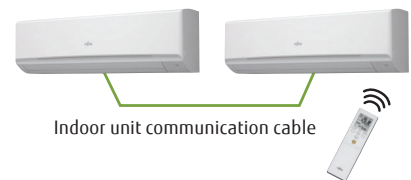
Human sensor catches movements of people in a room, and operates with lower capacity when people leave the room. When people come back to the room, it automatically returns to previous operating mode.



Server room function*

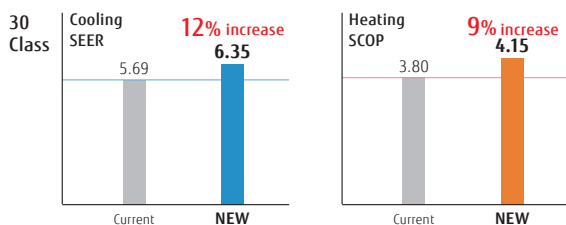
The following interlock operation is possible by connecting 2 indoor units with a cable. Cooling operation can be performed even in the low outdoor temperature and low humidity environment.

- **Alternative operation:** Two units operate alternately
- **Backup operation:** When 1 unit breaks down, the other unit starts operating automatically.
- **Supporting operation:** Both units operate simultaneously when the loaded capacity is not enough with one unit



* 2 x UTY-XWNX of optional parts are required.

High seasonal energy efficiency



Low ambient operation

